

Online Data Sheet

Encoder WDG 67Q - Discontinued product

www.wachendorff-automation.com/wdg67q

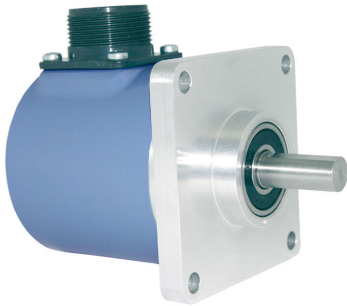
Wachendorff Automation

... systems and encoders

- Complete systems
- Industrial rugged encoders to suit your application
- Standard range and customer versions
- Maximum permissible loads
- 48-hour express production
- Made in Germany
- Worldwide distributor network

Encoder WDG 67Q

Discontinued product

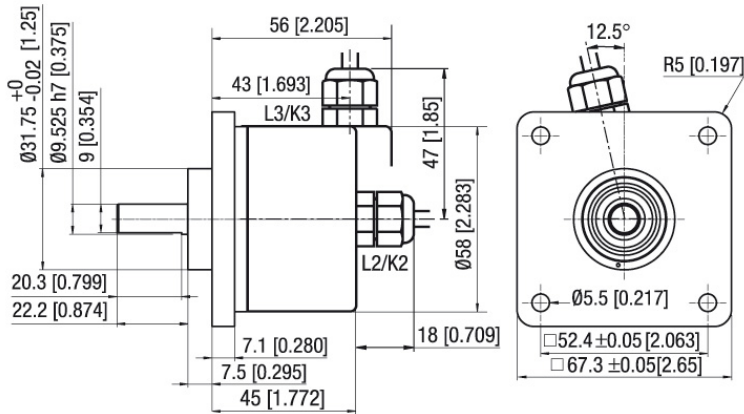


- 3/8" stainless steel shaft
- Up to 25000 PPR by use of high grad electronics
- Protection to IP67, shaft sealed to IP65
- Full connection protection with 10 VDC up to 30 VDC
- With light reserve warning
- Optional: -40 °C up to +80 °C [-40 °F up to +176 °F]
Protection to IP67 all around

www.wachendorff-automation.com/wdg67q

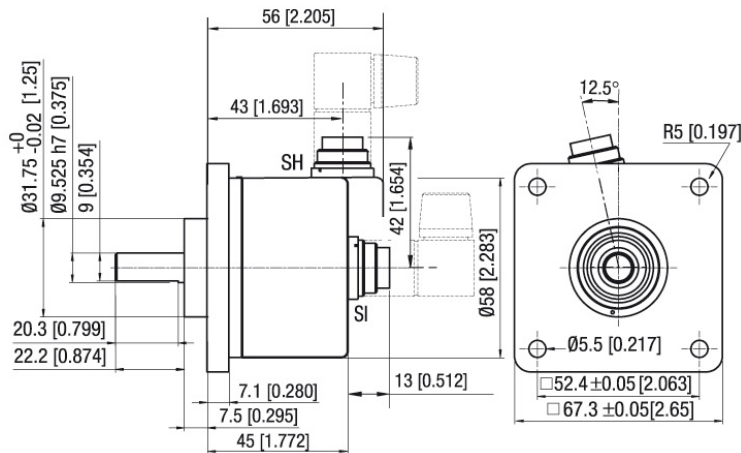
Resolution	
Max. pulses per revolution PPR	up to 25000 PPR
Mechanical Data	
Housing	
Flange	square flange
Flange material	aluminium
Housing cap	aluminium, powder coated
Housing	Ø 67.3 mm, Ø 2.65 in
Shaft(s)	
Shaft material	stainless steel
Starting torque	approx. 1 Ncm at ambient temperature, approx. 1.416 in-ozf at ambient temperature
Shaft	Ø 3/8", 9.525 mm, Ø 3/8"
Shaft length	L: 22.3 mm, L: 0.874 in
Max. Permissible shaft loading radial	220 N, 22.434 kp
Max. Permissible shaft loading axial	120 N, 12.237 kp
Bearings	
Bearings type	2 precision ball bearings
Nominale service life	1 x 10 ⁹ revs. at 100 % rated shaft load 1 x 10 ¹⁰ revs. at 40 % rated shaft load 1 x 10 ¹¹ revs. at 20 % rated shaft load
Max. operating speed	8000 rpm
Machinery Directive: basic data safety integrity level	
MTTF _d	200 a
Mission time (TM)	25 a
Nominale service life (L10h)	1 x 10 ¹¹ revs. at 20 % rated shaft load and 8000 rpm
Diagnostic coverage (DC)	0 %
Electrical Data	
Power supply/Current consumption	4,75 VDC up to 5,5 VDC: max. 100 mA
Power supply/Current consumption	5 VDC up to 30 VDC: max. 70 mA

Power supply/Current consumption	10 VDC up to 30 VDC: max. 100 mA
Output circuit	TTL TTL, RS422 compatible, inv. HTL HTL, inv. 1 Vpp sin/cos
Pulse frequency	TTL 5000 ppr: max. 200 kHz HTL 5000 ppr: max. 200 kHz TTL more than 1200 ppr: max. 2 MHz HTL more than 1200 ppr: max. 600 kHz 1 Vpp sin/cos: max. 100 kHz
Channels	AB ABN and inverted signals 1 Vpp Sin/Cos
Load	max. 40 mA / channel @ 1 Vpp sin/cos: min. 120 Ohm
Circuit protection	circuit type F24, G24, H24, I24, P24, R24 only
Accuracy	
Phase offset	90° ± max. 7.5 % of the pulse length
pulse-/pause-ratio	5000 ppr: 50 % ± max. 7 % >5000 ppr: 50 % ± max. 10 %
General Data	
Weight	approx. 300 g, approx. 10.582 oz
Connections	cable or connector outlet
Protection rating (EN 60529)	IP67, shaft sealed to IP65 (IP65 all around with S7)
Operating temperature	-20 °C up to +80 °C, -4 °F up to +176 °F 1 Vpp: -10 °C up to +70 °C, +14 °F up to +158 °F
Storage temperature	-30 °C up to +80 °C, -22 °F up to +176 °F
More Information	
General technical data http://www.wachendorff-automation.com/gtd	
Options http://www.wachendorff-automation.com/acc	

Cable connection K2, K3, L2, L3 with 2 m cable

Description
ABN inv. poss.

K2	axial, shield not connected	•
K3	radial, shield not connected	•
L2	axial, shield connected to encoder housing	•
L3	radial, shield connected to encoder housing	•

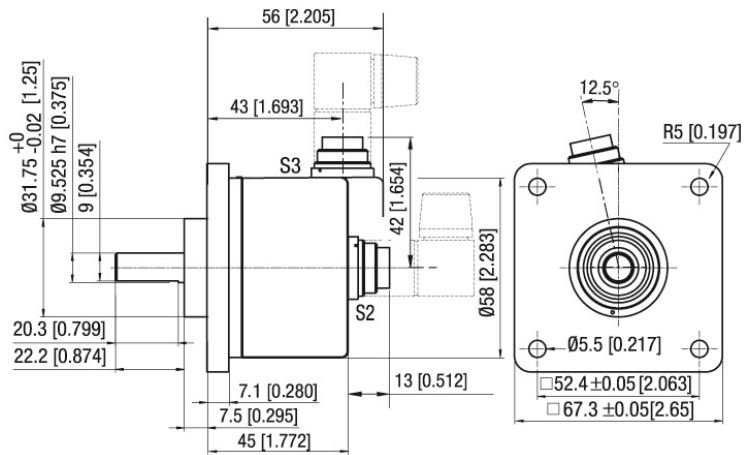
Assignments					
	K2, K3, L2, L3	K2, L2, K3, L3	K2, L2, K3, L3	K2, L2, K3, L3	K2, L2, K3, L3
Circuit	G05, G24	F05, H05, F24, H24, H30	I05, I24, 524	P05, R05, P24, R24, 245, 645, R30	SIN
GND	WH	WH	WH	WH	WH
(+) Vcc	BN	BN	BN	BN	BN
A	GN	GN	GN	GN	GN
B	YE	YE	YE	YE	GY
N	GY	GY	GY	GY	-
Light reserve warning	PK	-	PK	-	-
A inv.	-	-	RD	RD	YE
B inv.	-	-	BK, (BU at ACA)	BK, (BU at ACA)	PK
N inv.	-	-	VT	VT	-
Shield	flex	flex	flex	flex	flex

Connector (M16x0.75) SI, SH, 5-, 6-, 8-, 12-pin


Description	ABN inv. poss.
SI5 axial, 5-pin, Connector connected to encoder housing	-
SH5 radial, 5-pin, Connector connected to encoder housing	-
SI6 axial, 6-pin, Connector connected to encoder housing	-
SH6 radial, 6-pin, Connector connected to encoder housing	-
SI8 axial, 8-pin, Connector connected to encoder housing	•
SH8 radial, 8-pin, Connector connected to encoder housing	•
SI12 axial, 12-pin, Connector connected to encoder housing	•
SH12 radial, 12-pin, Connector connected to encoder housing	•

Assignments	SI5, SH5	SI6, SH6	SI6, SH6	SI8, SH8	SI8, SH8	SI8, SH8	SI12, SH12	SI12, SH12	SI12, SH12	SI12, SH12	SI12, SH12
	5-pin	6-pin	6-pin	8-pin	8-pin	8-pin	12-pin	12-pin	12-pin	12-pin	12-pin
Circuit	F05, H05, F24, H24, H30	G05, G24	F05, H05, F24, H24, H30	F05, H05, F24, H24, H30	P05, R05, P24, R24, R30, 245, 645	SIN	G05, G24	F05, H05, F24, H24, H30	I05, I24, 524	P05, R05, P24, R24, 245, 645, R30	SIN
GND	1	6	6	1	1	1	K, L	K, L	K, L	K, L	K, L
(+) Vcc	2	1	1	2	2	2	M, B	M, B	M, B	M, B	M, B
A	3	2	2	3	3	3	E	E	E	E	E
B	4	4	4	4	4	4	H	H	H	H	H
N	5	3	3	5	5	-	C	C	C	C	-
Light reserve warning	-	5	-	-	-	-	G	-	G	-	-
A inv.	-	-	-	-	6	6	-	-	F	F	F
B inv.	-	-	-	-	7	7	-	-	A	A	A
N inv.	-	-	-	-	8	-	-	-	D	D	-
n. c.	-	-	5	6, 7, 8	-	5, 8	A, D, F, J	A, D, F, G, J	J	G, J	D, G, J
Shield	-	-	-	-	-	-	-	-	-	-	-

Connector (M16x0.75) S2, S3, 7-pin

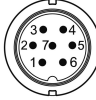



Description

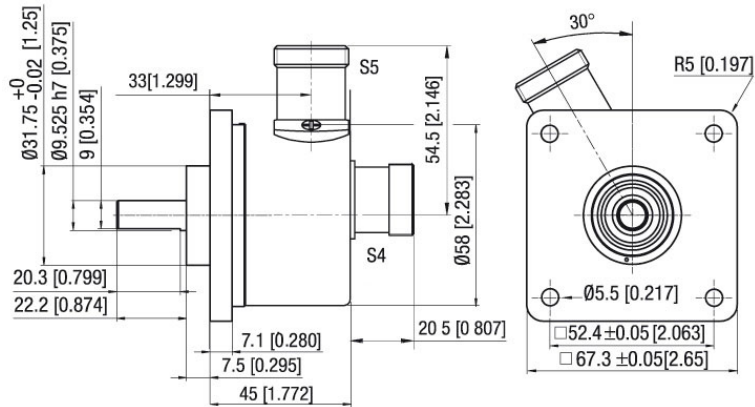
ABN inv. poss.

S2	axial, 7-pin, Connector connected to encoder housing	-
S3	radial, 7-pin, Connector connected to encoder housing	-

Assignments

	S2, S3 7-pin	S2, S3 7-pin
		
Circuit	G05, G24	F05, H05, F24, H24, H30
GND	1	1
(+) Vcc	2	2
A	3	3
B	4	4
N	5	5
Light reserve warning	6	-
A inv.	-	-
B inv.	-	-
N inv.	-	-
n. c.	7	6, 7
Shield	-	-

Connector (M23) S4, S5, 12-pin



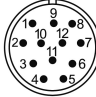
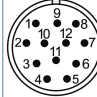
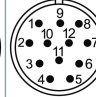
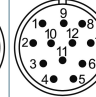
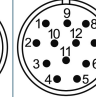
Description

ABN inv. poss.

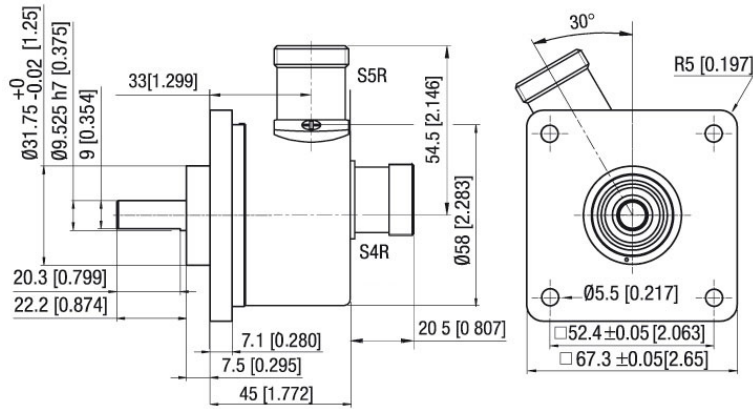
- S4** axial, 12-pin, Connector connected to encoder housing
- S5** radial, 12-pin, Connector connected to encoder housing

-
-

Assignments

	S4, S5	S4, S5	S4, S5	S4, S5	S4, S5
	12-pin	12-pin	12-pin	12-pin	12-pin
					
Circuit	G05, G24	F05, H05, F24, H24, H30	I05, I24, 524	P05, R05, P24, R24, 245, 645, R30	SIN
GND	10	10	10	10	10
(+) Vcc	12	12	12	12	12
A	5	5	5	5	5
B	8	8	8	8	8
N	3	3	3	3	-
Light reserve warning	11	-	11	-	-
A inv.	-	-	6	6	6
B inv.	-	-	1	1	1
N inv.	-	-	4	4	-
n. c.	1, 2, 4, 6, 7, 9	1, 2, 4, 6, 7, 9, 11	2, 7, 9	2, 7, 9, 11	2, 3, 4, 7, 9, 11
Shield	-	-	-	-	-

Connector (M23) S4R, S5R, 12-pin (clockwise)



Description

ABN inv. poss.

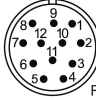
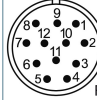
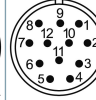
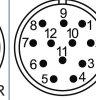
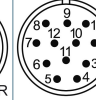
S4R axial, 12-pin, Connector connected to encoder housing

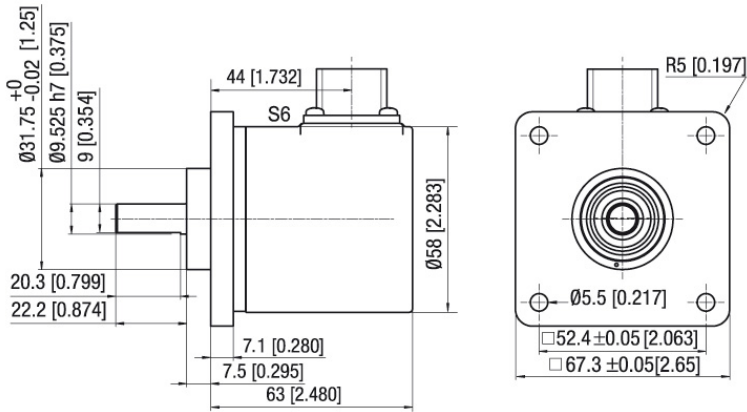
•



S5R radial, 12-pin, Connector connected to encoder housing

•

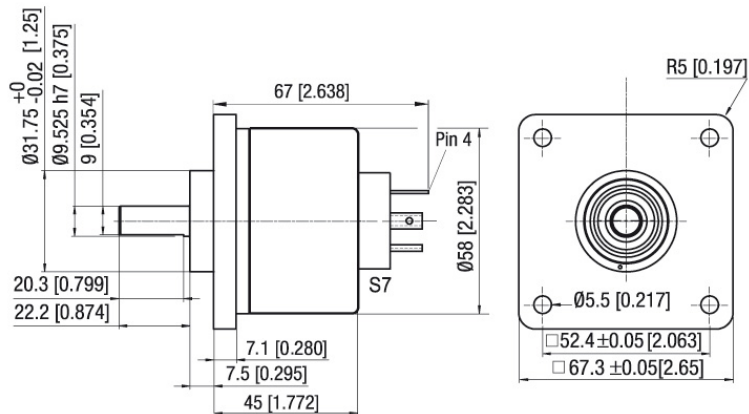
Assignments

	S4R, S5R	S4R, S5R	S4R, S5R	S4R, S5R	S4R, S5R
	12-pin	12-pin	12-pin	12-pin	12-pin
					
Circuit	G05, G24	F05, H05, F24, H24, H30	I05, I24, 524	P05, R05, P24, R24, 245, 645, R30	SIN
GND	10	10	10	10	10
(+) Vcc	12	12	12	12	12
A	5	5	5	5	5
B	8	8	8	8	8
N	3	3	3	3	-
Light reserve warning	11	-	11	-	-
A inv.	-	-	6	6	6
B inv.	-	-	1	1	1
N inv.	-	-	4	4	-
n. c.	1, 2, 4, 6, 7, 9	1, 2, 4, 6, 7, 9, 11	2, 7, 9	2, 7, 9, 11	2, 3, 4, 7, 9, 11
Shield	-	-	-	-	-

MIL-connector S6, 6-pin

Description
ABN inv. poss.


Assignments		
	6-pin	6-pin
		
Circuit	G05, G24	F05, H05, F24, H24, H30
GND	A	A
(+) Vcc	F	F
A	C	C
B	B	B
N	D	D
Light reserve warning	E	-
A inv.	-	-
B inv.	-	-
N inv.	-	-
n. c.	-	E
Shield	-	-

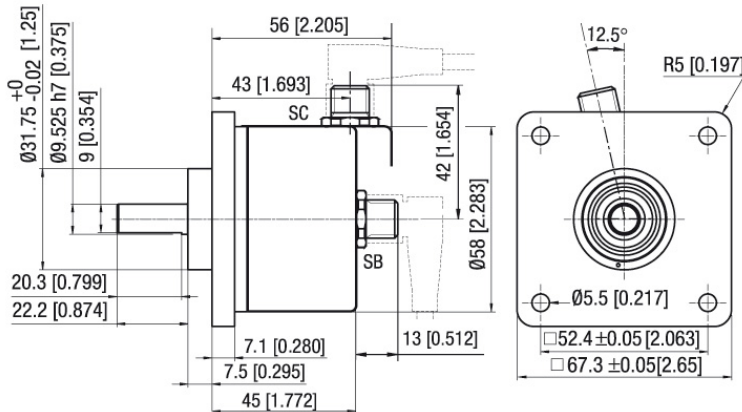
Valve-connector (IP65) S7, 4-pin



Description




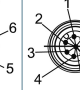
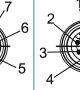
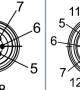
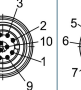
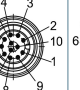

ABN inv. poss.

Assignments	
	4-pin
	
Circuit	F05, H05, F24, H24, H30
GND	1
(+) Vcc	2
A	3
B	4
N	-
Light reserve warning	-
A inv.	-
B inv.	-
N inv.	-
n. c.	-
Shield	-

Sensor-connector (M12x1) SB, SC, 4-, 5-, 8-, 12-pin

Description
ABN inv. poss.

SB4	axial, 4-pin, Connector connected to encoder housing	-
SC4	radial, 4-pin, Connector connected to encoder housing	-
SB5	axial, 5-pin, Connector connected to encoder housing	-
SC5	radial, 5-pin, Connector connected to encoder housing	-
SB8	axial, 8-pin, Connector connected to encoder housing	•
SC8	radial, 8-pin, Connector connected to encoder housing	•
SB12	axial, 12-pin, Connector connected to encoder housing	•
SC12	radial, 12-pin, Connector connected to encoder housing	•

Assignments

	SB4, SC4	SB5, SC5	SB8, SC8	SB8, SC8	SB8, SC8	SB12, SC12	SB12, SC12	SB12, SC12	SB12, SC12
	4-pin	5-pin	8-pin	8-pin	8-pin	12-pin	12-pin	12-pin	12-pin
									
Circuit	F05, H05, F24, H24, H30	F05, H05, F24, H24, H30	F05, H05, F24, H24, H30	P05, R05, P24, R24, R30, 245, 645	SIN	G05, G24	F05, H05, F24, H24, H30	I05, I24, 524	P05, R05, P24, R24, 245, 645, R30
GND	3	3	1	1	1	3	3	3	3
(+) Vcc	1	1	2	2	2	1	1	1	1
A	2	4	3	3	3	4	4	4	4
B	4	2	4	4	5	6	6	6	6
N	-	5	5	5	-	8	8	8	8
Light reserve warning	-	-	-	-	-	5	-	5	-
A inv.	-	-	-	6	4	-	-	9	9
B inv.	-	-	-	7	6	-	-	7	7
N inv.	-	-	-	8	-	-	-	10	10
n. c.	-	-	6, 7, 8	-	7, 8	2, 7, 9, 10, 11, 12	2, 5, 7, 9, 10, 11, 12	2, 11, 12	2, 5, 11, 12
Shield	-	-	-	-	-	-	-	-	-

Options

Low temperature

Order key

The encoder WDG 67Q - Discontinued product with the output circuit types F24, G24, H24, I24, P24, R24, F05, G05, H05, I05, P05, R05, 245, 524, 645 is also available with the extended temperature range -40 °C up to +80 °C (measured at the flange).

Cable length

Order key

The encoder WDG 67Q - Discontinued product can be supplied with more than 2 m cable. **XXX = Decimeter**
The maximum cable length depends on the supply voltage and the frequency; see www.wachendorff-automation.com/atd
Please extend the standard order code with a three figure number, specifying the cable length in decimetres.
Example: 5 m cable = 050

IP67 Shafts sealed to IP67 (not for 1 Vss Sin/Cos)

Order key

The encoder WDG 67Q - Discontinued product can be supplied in a full IP67 version.

AAO

Max. RPM: 3500 rpm

Permitted Shaft-Loading, axial: 100 N, 10.197 kp

Permitted Shaft-Loading, radial: 110 N, 11.217 kp

Max. PPR: 2500 ppr

Starting-torque: approx. 4 Ncm at ambient temperature, approx. 5.6645 in-ozf at ambient temperature

Example Order No.	Type				Your encoder
WDG 67Q	WDG 67Q				WDG 67Q
Pulses per revolution PPR:					
5000	2, 5, 10, 15, 20, 24, 25, 30, 36, 40, 48, 50, 60, 64, 72, 87, 90, 100, 120, 125, 127, 128, 150, 160, 180, 200, 216, 236, 240, 250, 254, 256, 300, 314, 320, 360, 400, 500, 512, 571, 600, 625, 720, 750, 768, 800, 810, 900, 1000, 1024, 1200, 1250, 1270, 1440, 1500, 1800, 2000, 2048, 2400, 2500, 3000, 3600, 4000, 4096, 4685, 5000, 10000, 12500, 20000, 25000 1 Vss Sin/Cos only 1024, 2048 Other PPRs on request				
Channels:					
ABN	AB, ABN (SIN: AB)				
Output circuit					
G24	Resolution PPR	Power supply VDC	Output circuit	Light reserve warning	Order key
	up to 2500	5 - 30	HTL	-	H30
		5 - 30	HTL inverted	-	R30
	up to 5000	4.75 - 5.5	TTL	•	G05
		4.75 - 5.5	TTL	-	H05
		4.75 - 5.5	TTL, RS422 comp., inverted	•	I05
		4.75 - 5.5	TTL, RS422 comp., inverted	-	R05
		10 - 30	HTL	•	G24
		10 - 30	HTL	-	H24
		10 - 30	HTL inverted	•	I24
		10 - 30	HTL inverted	-	R24
		10 - 30	TTL, RS422 comp., inverted	•	524
		10 - 30	TTL, RS422 comp., inverted	-	245
	(higher frequency) 1200 up to 25000	4.75 - 5.5	TTL	-	F05
		4.75 - 5.5	TTL, RS422 comp., inverted	-	P05
		10 - 30	HTL	-	F24
		10 - 30	HTL inverted	-	P24
		10 - 30	TTL, RS422 comp., inverted	-	645
	1024, 2048	4.75 - 5.5	1 Vpp sin/cos	-	SIN

Electrical connections			
K2	Description	ABN inv. poss.	Order key
	Cable: length (2 m standard, WDG 58T: 1 m)		
	axial, shield not connected	•	K2
	axial, shield connected to encoder housing	•	L2
	radial, shield not connected	•	K3
	radial, shield connected to encoder housing	•	L3
Connector: (shield connected to encoder housing)			
	connector, M16x0.75, 5-pin, axial	-	SI5
	connector, M16x0.75, 5-pin, radial	-	SH5
	connector, M16x0.75, 6-pin, axial	-	SI6
	connector, M16x0.75, 6-pin, radial	-	SH6
	connector, M16x0.75, 8-pin, axial	•	SI8
	connector, M16x0.75, 8-pin, radial	•	SH8
	connector, M16x0.75, 12-pin, axial	•	SI12
	connector, M16x0.75, 12-pin, radial	•	SH12
	connector, M16x0.75, 7-pin, axial	-	S2
	connector, M16x0.75, 7-pin, radial	-	S3
	connector, M23, 12-pin, axial	•	S4
	connector, clockwise pin count, M23, 12-pin, axial	•	S4R
	connector, M23, 12-pin, radial	•	S5
	connector, clockwise pin count, M23, 12-pin, radial	•	S5R
	sensor-connector, M12x1, 4-pin, axial	-	SB4
	sensor-connector, M12x1, 4-pin, radial	-	SC4
	sensor-connector, M12x1, 5-pin, axial	-	SB5
	sensor-connector, M12x1, 5-pin, radial	-	SC5
	sensor-connector, M12x1, 8-pin, axial	•	SB8
	sensor-connector, M12x1, 8-pin, radial	•	SC8
	sensor-connector, M12x1, 12-pin, axial	•	SB12
	sensor-connector, M12x1, 12-pin, radial	•	SC12
Options			
	Description	Order key	
	Without option	Empty	
	Low temperature	ACA	
	IP67	AAO	
	Cable length	XXX = Decimeter	

Example Order No.=	WDG 67Q	5000	ABN	G24	K2		WDG 67Q					Your encoder
---------------------------	---------	------	-----	-----	----	--	---------	--	--	--	--	---------------------



For further information please contact our local distributor.
Here you find a list of our distributors worldwide.
http://www.wachendorff-automation.com/distributors_worldwide.html



Wachendorff Automation GmbH & Co. KG
Industriestrasse 7 • D-65366 Geisenheim

Phone: +49 67 22 / 99 65 25
Fax: +49 67 22 / 99 65 70
E-Mail: wdg@wachendorff.de
www.wachendorff-automation.de

